

# 35 SERIES

## HC35WB3R3

## HC35WB5R3

## HC35WB8R3



### 3MP/5MP/8MP IP WDR IR Fixed Bullet Camera



OPERATIONAL	
Video Standard	NTSC / PAL
Scanning System	Progressive
Image Sensor	HC35WB3R3: 1/2.7" CMOS HC35WB5R3/HC35WB8R3: 1/2.8" CMOS
Sensor Size (H x V)	HC35WB3R3: 4.608 mm x 2.592 mm HC35WB5R3: 5.184 mm x 3.888 mm HC35WB8R3: 5.568 mm x 3.132 mm
Number Of Pixels(H x V)	HC35WB3R3: 2304 x 1296 HC35WB5R3: 2592 x 1944 HC35WB8R3: 3840 x 2160
Minimum Illumination (Color/BW)	HC35WB3R3: 0.005 Lux/F1.6 (Color,30 IRE), 0 Lux/F1.6 (IR ON) HC35WB5R3: 0.007 Lux/F2.0 (Color,30 IRE), 0 Lux/F2.0 (IR ON) HC35WB8R3: 0.009 Lux/F2.0 (Color,30 IRE), 0 Lux/F2.0 (IR ON)
S/N Ratio	50 dB
Electronic Shutter Speed	1/8 ~ 1/32,000
IR Distance	HC35WB3R3/HC35WB8R3: up to 40 m HC35WB5R3: up to 50 m
IR Light Control	Smart IR (Auto/Manual)/OFF
IR Light Number	4
Day/Night	Auto (ICR) / Color / BW
Backlight Compensation	WDR,BLC,HLC
White Balance	Auto/Tungsten/Fluorescent/Daylight/Shadow/Manual
Gain Control	0-100%
Wide Dynamic Range	120 dB
Noise Reduction	2D/3D DNR
Lens	HC35WB3R3: 2.8mm Fixed Iris F1.6 HC35WB5R3/HC35WB8R3: 2.8mm, Fixed Iris, F2.0
Angle Of View	HC35WB3R3: H:88°, V:47° HC35WB5R3: H:88°, V:65° HC35WB8R3: H:97°, V:52°
Privacy Masking	Off / On (4 Areas)
Defog	HC35WB3R3: Not supported HC35WB5R3/HC35WB8R3: Supported
Local Storage	Micro SD (up to 256 GB)
Alarm Inputs/Outputs	HC35WB3R3: Not supported HC35WB5R3/HC35WB8R3: 1 In / 1 Out

VIDEO	
Video Compression	H.265 HEVC/H.264/MJPEG, Smart Codec
Resolution	HC35WB3R3 1st: 2304 x 1296 / 1920 x 1080 / 1280 x 720 2nd: 704 x 576(PAL) / 704 x 480(NTSC) / 640 x 480 / 352 x 288(PAL) / 352 x 240(NTSC) 3rd: 640 x 480 / 352 x 288(PAL) / 352 x 240(NTSC) / 320 x 240
	HC35WB5R3 1st: 2592 x 1944 / 2592 x 1520 / 1920 x 1080 / 1280 x 720 2nd: 704 x 576(PAL) / 704 x 480(NTSC) / 640 x 480 / 352 x 288(PAL) / 352 x 240(NTSC) 3rd: 1920 x 1080 (MAX 12 fps) / 640 x 480 / 352 x 288(PAL) / 352 x 240(NTSC) / 320 x 240
	HC35WB8R3 1st: 3840 x 2160 / 2592 x 1944 / 2592 x 1520 / 2560 x 1440 / 2304 x 1296 / 1920 x 1080 / 1280 x 720 2nd: 704 x 576(PAL) / 704 x 480(NTSC) / 640 x 480 / 352 x 288(PAL) / 352 x 240(NTSC) 3rd: 640 x 480 / 352 x 288(PAL) / 352 x 240(NTSC) / 320 x 240
Number of Video Streams	3 (2 for encryption)
Frame Rate*	MAX 30 fps
Bit Rate*	HC35WB3R3: 100K ~ 6 Mbps HC35WB5R3: 100K~12 Mbps HC35WB8R3: 100k~16 Mbps
AUDIO	
Audio Compression	HC35WB3R3: Not supported HC35WB5R3/HC35WB8R3: G.711A/G.711U
Audio Stream	HC35WB3R3: Not supported HC35WB5R3/HC35WB8R3: 2-Way, Full duplex
Audio Interface	HC35WB3R3: Not supported HC35WB5R3/HC35WB8R3: Line In/Out
NETWORK	
Ethernet	10 Base-T/100 Base-TX Ethernet (RJ-45)
Supported Web Browsers	Chrome/Edge
Supported OS	Microsoft Windows 10
Protocols**	IPv4, IPv6, TCP / IP, HTTP, HTTPS, RTSP / RTP / RTCP, IGMP / Multicast, SMTP, DHCP, NTP, DNS, QoS, SNMP, 802.1X, UDP, ICMP, ARP, TLS
Interoperability	ONVIF Profile G/S/T
Maximum Users Access	10 Users
Security	User account and password protection, HTTPS, IP Filter, Digest authentication, TLS1.2 only, Stream encryption, AES128 / 256, SSH / Telnet closed, PCI-DSS compliance
Languages Supported	Arabic, Czech, Dutch, English, French, German, Italian, Japanese, Korean, Polish, Portuguese (Brazil), Russian, Spanish, Turkish

\*For detailed information about frame rate and bit rate, please refer to the User Guide.

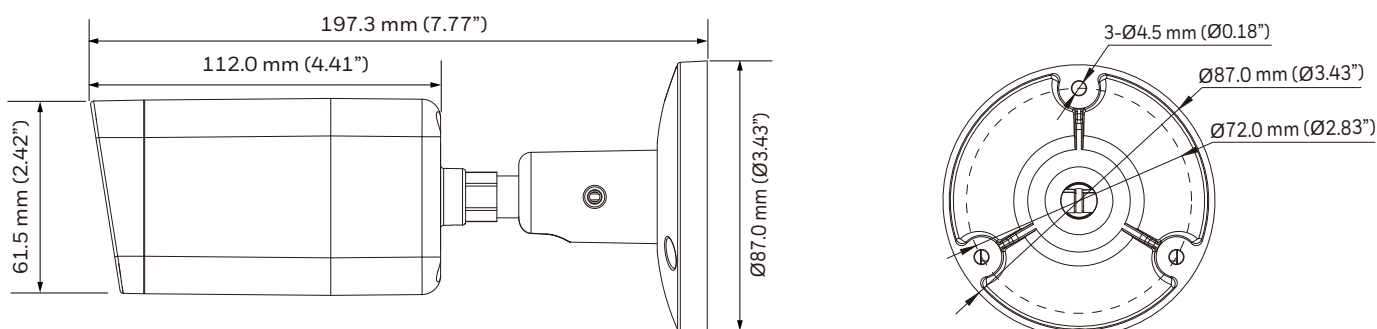
\*\* Some development may be required in specific user cases to support some of these protocols in the field as they mature over time.

# 35 SERIES 3MP/5MP/8MP IP WDR IR FIXED BULLET CAMERA

EVENTS / ANALYTICS	
Built-in Video Analytics	HC35WB3R3: Motion Detection, Tampering HC35WB5R3/HC35WB8R3: People Counter, Multi Loitering, Intrusion, Tampering, Smart Motion Detection (SMD), Motion Detection
Event Type	HC35WB3R3: Video motion detection, Recording notification HC35WB5R3/HC35WB8R3: Video motion detection, Alarm input, Recording notification, Tampering
Event Linkage	HC35WB3R3: Event notification using Email and MicroSD card HC35WB5R3/HC35WB8R3: Event notification using digital output, Email and MicroSD card
Region Of Interest	8
ELECTRICAL	
Power Supply	DC12V, PoE (IEEE 802.3af) (Class 0)
Power Consumption (Max)	HC35WB3R3: MAX 5.5W HC35WB5R3: MAX 6W HC35WB8R3: MAX 7.3W
MECHANICAL	
Dimensions	Ø87.0 mm × 197.3 mm (Ø3.43" × 7.77")
Product Weight	0.7 kg (1.54 lb)
Package Weight	0.85 kg (1.87 lb)
Body Material	Die-cast aluminium housing
Color	Camera Body: RAL 9003 (Signal White) Front/Lens Facings: Pantone Black

ENVIRONMENTAL	
Operating Temperature	Starting Temperature: -40°C ~ 60°C (-40°F ~ 140°F) Working Temperature: -40°C ~ 60°C (-40°F ~ 140°F)
Relative Humidity	Less than 90 %, non-condensing
Ingress Protection	IP66/IP67
Bullet Casing	IK10
REGULATORY	
Emissions	FCC PART 15, CE (EN 55032), Complies with RCM and UKCA
Immunity	CE(EN 50130-4), Complies with RCM and UKCA
Safety	UL LISTED TO UL/CSA 62368-1, CE(EN 62368-1), Complies with RCM and UKCA
RoHs	CE(EN 63000), UAE(Cabinet Decree No.10 of 2017)
Country of Origin	China

## DIMENSIONS



# 35 SERIES 3MP/5MP/8MP IP WDR IR FIXED BULLET CAMERA

## RECOMMENDED ACCESSORIES AND ORDERING

SYSTEM INTEGRATION*		OPTIONAL MOUNTS AND ACCESSORIES	
Pro-Watch NVR	Up to 256 IP channels RAID5 / 6 Enterprise NVR	HA60JCBH1	60S junction box
MAXPRO NVR PE	Up to 128 IP channels RAID5 / 6 Enterprise NVR	HA60PLMZ	60S pole mount adapter
MAXPRO NVR SE	Up to 64 IP channels System NVR	HA60CNMZ	60S corner mount adapter
MAXPRO NVR XE	Up to 16 IP channels System NVR		
MAXPRO NVR SOFTWARE	Up to 128 IP channels Recording Software		
ADPRO NVR FASTTRACE 2E	Up to 32 IP channels with up to 32 VA channels NVRs		
ADPRO NVR iFT-E	Up to 32 IP channels with up to 32 VA channels NVRs		
ADPRO NVR iFT	Up to 32 IP channels or 16 IP channels with up to 16 VA channels NVRs		
ADPRO NVR iFT GATEWAY	4 IP channels + 4 VA channels		
Honeywell DVM	Support with Honeywell DVM R710.1 (and later maintenance releases)		
30 Series NVR	Integration with 30 Series NVR		
35 Series NVR**	Integration with 35 Series NVR		

\*Refer to the NVR integration matrix for more information.

\*\*35 Series NVR will be released in June 2022.

ORDERING	
HC35WB3R3	3 MP IR Fixed Bullet Camera, WDR 120dB, 2.8 mm, POE, DC12V, IK10 Casing
HC35WB5R3	5 MP IR Fixed Bullet Camera, WDR 120dB, 2.8 mm, POE, DC12V, Audio & Alarm In/Out, IK10 Casing
HC35WB8R3	8 MP IR Fixed Bullet Camera, WDR 120dB, 2.8 mm, POE, DC12V, Audio & Alarm In/Out, IK10 Casing

### For More Information

[www.security.honeywell.com/me](http://www.security.honeywell.com/me)  
[buildings.honeywell.com/security](http://buildings.honeywell.com/security)

### Honeywell Commercial Security

Emaar Business Park, Sheikh Zayed Road  
Building No. 2, 2nd floor, 201  
Post Office Box 232362  
Dubai, United Arab Emirates  
Tel: +971 4 450 5800  
[www.honeywell.com](http://www.honeywell.com)



ONVIF and the ONVIF logo are trademarks of ONVIF Inc.  
HEVC Advance logo is a trademark of HEVC Advance  
Honeywell reserves the right, without notification, to  
make changes in product design or specifications.

HSV-HC35WBxR3-01-ME(0622)DS-Y  
© 2022 Honeywell International Inc.

**Honeywell**