

CAHBC1080PI40V

www.black.honeywell.com

1080P AHD Weather-proof IR Bullet Camera with Vari-focal Lens

Featuring the advanced Analog High Definition (AHD) video technology, the Honeywell Black™ CAHBC1080PI40V is a multi-megapixel HD analog camera which produces 1080P (1920H x 1080V) sharp, high-definition image. The AHD technology ensures real-time and non compressed signal transmission of up to 500 meters via coaxial cable, which significantly reduces installation cost and provides much sharper images without quality loss.

Advanced Features

Featuring hybrid output definitions in CVBS(960H),AHD(720P) and AHD (1080P), the CAHBC1080PI40V is compatible with existing analog cameras, and is capable of transmitting HD image via existing cable layout.

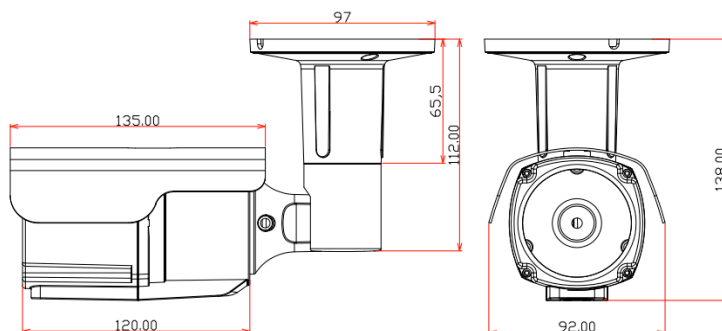
Market Opportunities

Featuring 2.8-12mm vari-focal lens, 1080P high resolution, TDN function and 40 meters IR night vision, the CAHBC1080PI40V is designed for small-to-medium HD surveillance application including hotels, chain stores, commercial offices, hospitals, residential areas, warehouses, and education facilities and so on. It is also ideal for easy and cost-effective upgrade of existing analog system to realize HD application.

FEATURES

- Ultra high definition: 1080P (1920H x 1080V)
- Hybrid output definitions in CVBS(960H), AHD(720P) and AHD(1080P) via OSD setup
- Minimum illumination: 0.001Lux (IR on)
- TDN(IR-Cut), AWB, AGC
- 1/2.8" Sony Exmor 1080P Sensor
- 2.8-12mm 3 megapixel lens
- IR distance: 40 meters
- Power: 12VDC
- IP66 weather-proof

DIMENSIONS



Unit: mm



CAHBC1080PI40V

www.black.honeywell.com

1080P AHD Weather-proof IR Bullet Camera with Vari-focal Lens

SPECIFICATIONS

Model	CAHBC1080PI40V
Image Sensor	1/2.8" Sony Exmor 322 CMOS sensor
Processor	NVP2441
Scanning System	Progressive scan method
Sensor Resolution	1080P
Effective Pixels	2.0 Megapixel (1920H x 1080V)
Output Pixels	2.0 Megapixel (1920H x 1080V)
Shutter Speed	1/50- 1/100,000 sec
Minimum Illumination	Color: 0.001Lux B/W: 0 (IR-on)
Smart IR	NC
Video Output	CVBS and AHD output
S/N	More than 50dB (AGC off)
Picture Adjustments	Support
Gamma Correction	0.45
Lens	
Focus Length	2.8-12mm 3 Megapixel lens
Focus Control	Fixed
Auto Iris Support	N/A
Night Vision	
Infrared Leds	2 Array Leds + 6pcs Superflux Leds
IR Beam Distance	40m
ICR	Support
Camera	
Day & Night	TDN, IR cut removable
Day / Night Mode	Auto (ICR) / Color / Black & White
Language	11 Languages (English / Chinese / Germany / French / Italian / Spanish / Polish / Romania / Russian / Portuguese / Dutch / Turkish)
White Balance	Auto / Manual
Auto Gain Control	ON/OFF
WDR	ON/OFF
Digital Noise Reduction	3D NR
Picture Adjustment	Support
OSD	DWDR / 3D / 2DNR / AGC / AWB / BLC / Anti-foggy / Privacy Mask / Mirror / DPC
Electrical Protection	Video protections Voltage 8K V, Surge protections Voltage: 1.8K V
Operating Temperature	-10°C~50°C
Storage Temperature	-30°C~60°C
Operating Humidity	20%~90%
Power Supply	12VDC
IP Rating	IP66
Dimensions	280 (D) x 90 (W) x 90 (H)mm
Weight	0.8kg
Certificate	CE, FCC, C-tick

Note: Honeywell reserves the right, without notification, to make changes in product design or specifications

CAHBC1080PI40V

www.black.honeywell.com

1080P AHD Weather-proof IR Bullet Camera with Vari-focal Lens

ORDERING

CAHBC1080PI40V	Weather-proof IR Bullet Camera, 1080P, 1/2.8" Sony Exmor 322 CMOS sensor, TDN, 2.8-12mm 3 megapixel lens, IR distance:40m, 12VDC, PAL
----------------	---

For more information:

Security East Asia
Security Pacific
Security India
Security Middle East & N.Africa
Security Russia
Security China
Security Korea

Tel: (852) 2405 2323
Tel: 1300 234 234
Tel: (91) 124 4975000
Tel: (971) 4454 1704
Tel: (7) 495 7979371
Tel: (86) 400 8800 330
Tel: (82) 2799 6114



www.black.honeywell.com
security.black@honeywell.com

Honeywell Security & Fire
Automation & Control Solutions
Honeywell International Inc.
www.security.honeywell.com



Nov 2015
© 2015 Honeywell International Inc.